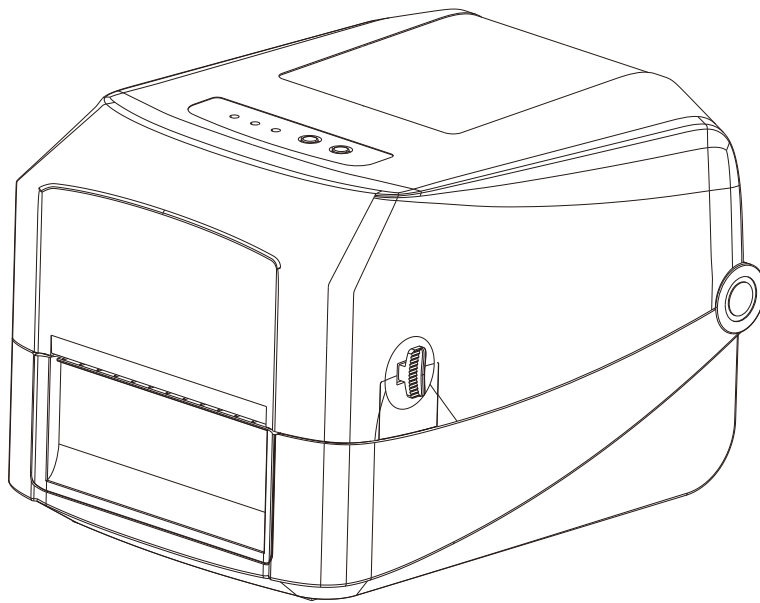


Gainscha


GS-2406T/GS-3405T

**THERMAL TRANSFER/DIRECT THERMAL
BAR CODE PRINTER**


PARTS LIST



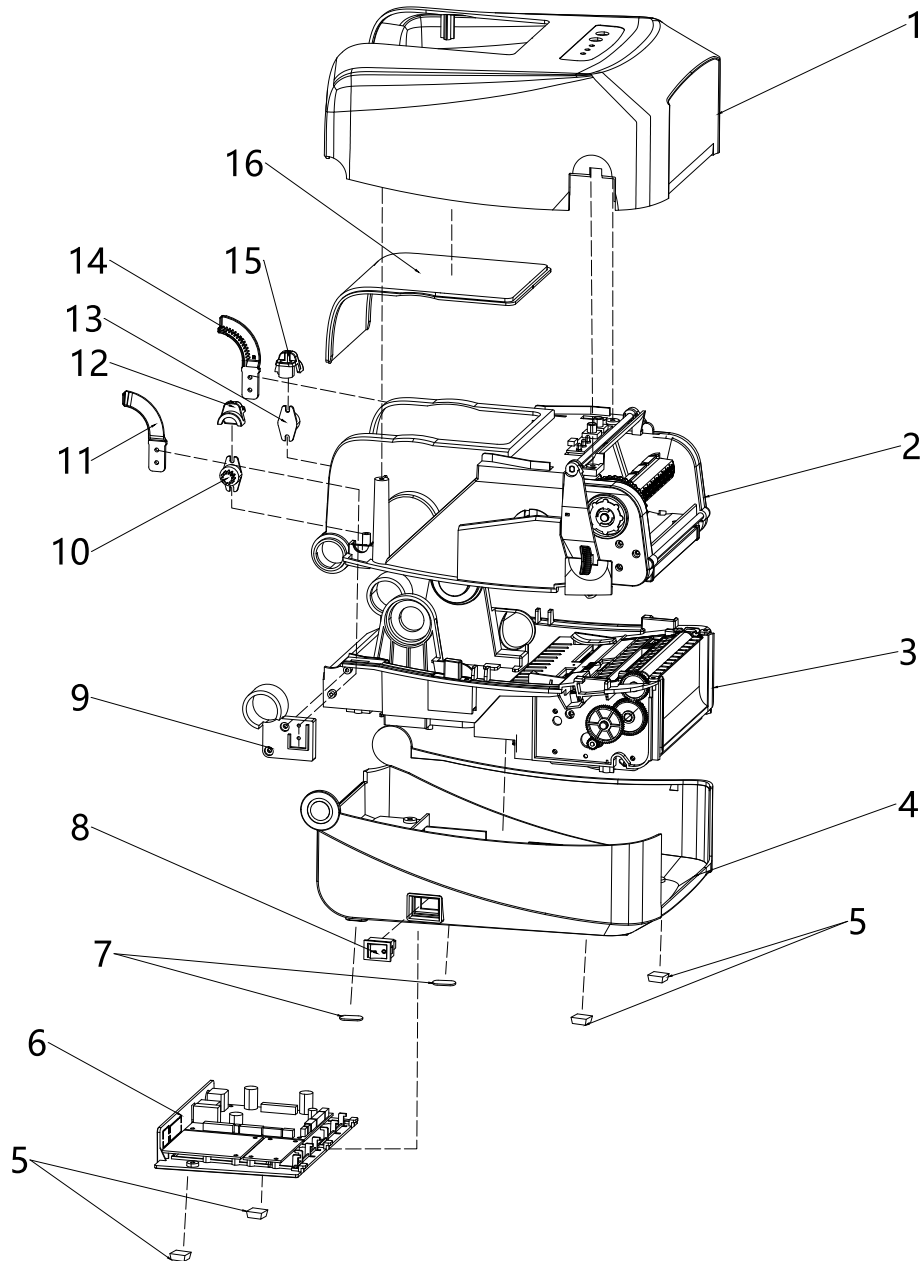
Exploded View

编制: 

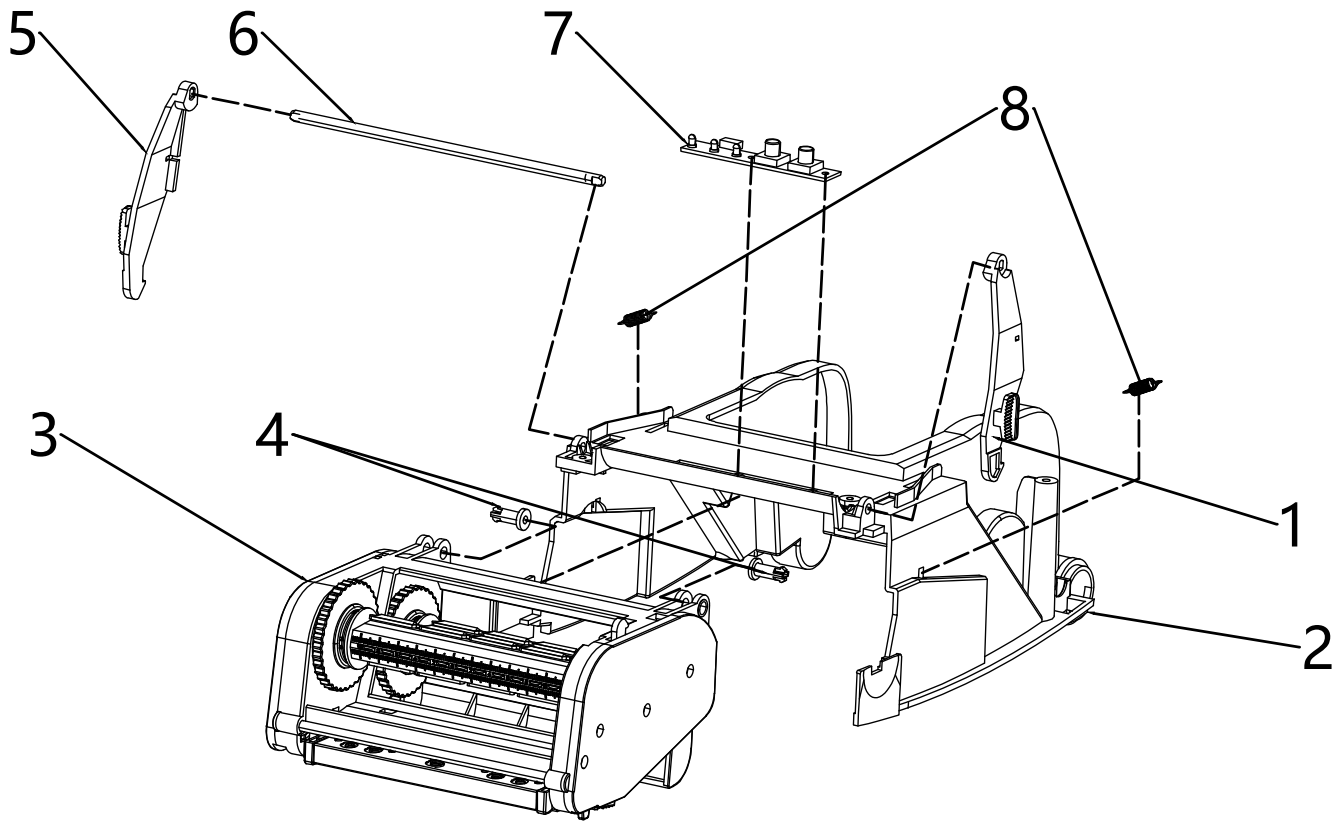
审核: 

批准: 

2022/8/10

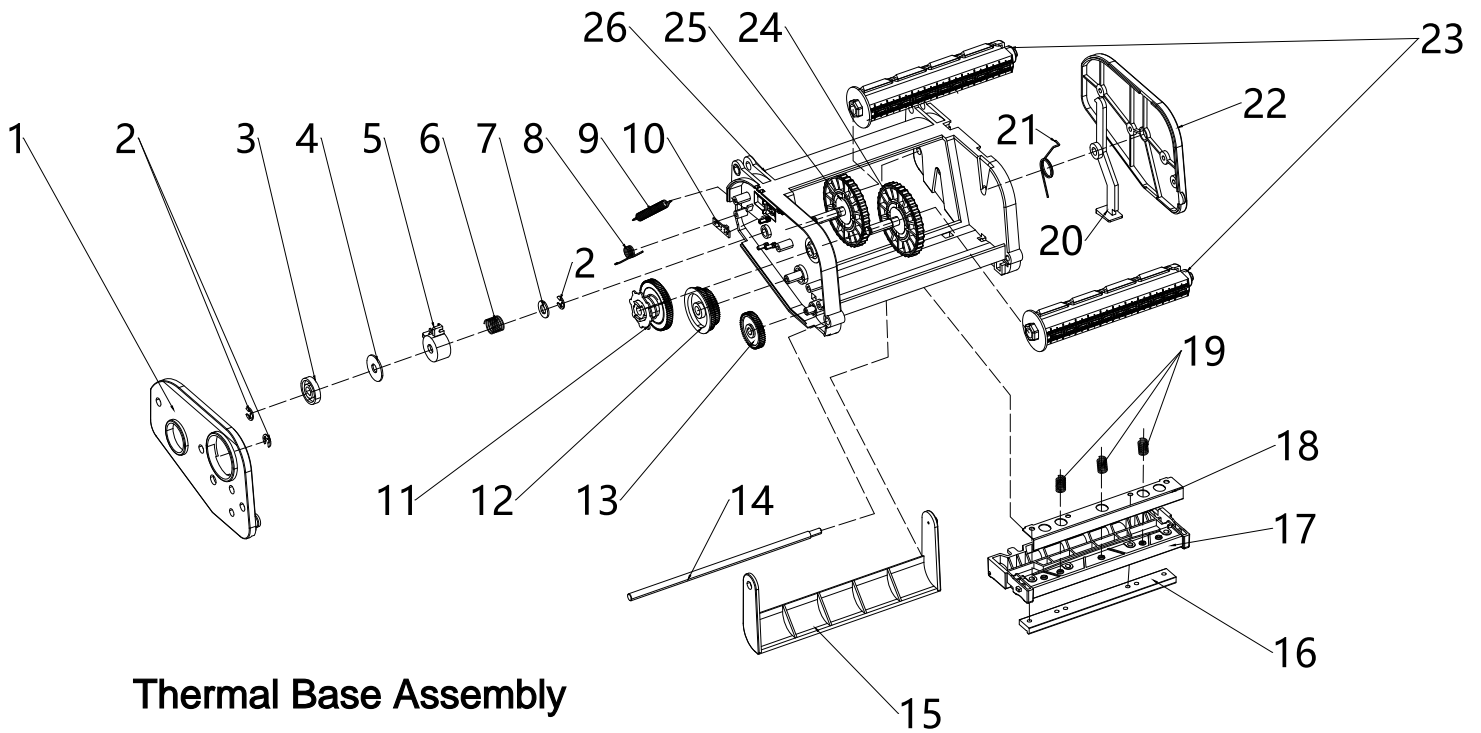


Serial Number	Material Code	Material Name	Quantity
1	1.22.33.00020	Flip Cover	1
2		Middle Frame Assembly	1
3		Machine Base Assembly	1
4	1.22.33.00040	Lower Cover	1
5	1.27.05.00087	White Silicone Pad	4
6		Bottom Cover, Motherboard Assembly	1
7	1.27.05.00538	Silicone Pad	2
8	2.03.05.00167	Switch Assembly	1
9	1.22.33.00080	Spring Baffle	1
10	1.25.01.00126	One-way Left Damp Gear	1
11	1.22.33.00250	Damp Gear Rack L	1
12	1.22.13.02850	Damp Cover L	1
13	1.25.01.00127	One-way Right Damp Gear	1
14	1.22.33.00260	Damp Gear Rack R	1
15	1.22.13.02860	Damp Cover R	1
16	1.22.33.00050	Flip Board	1



Middle Frame Assembly

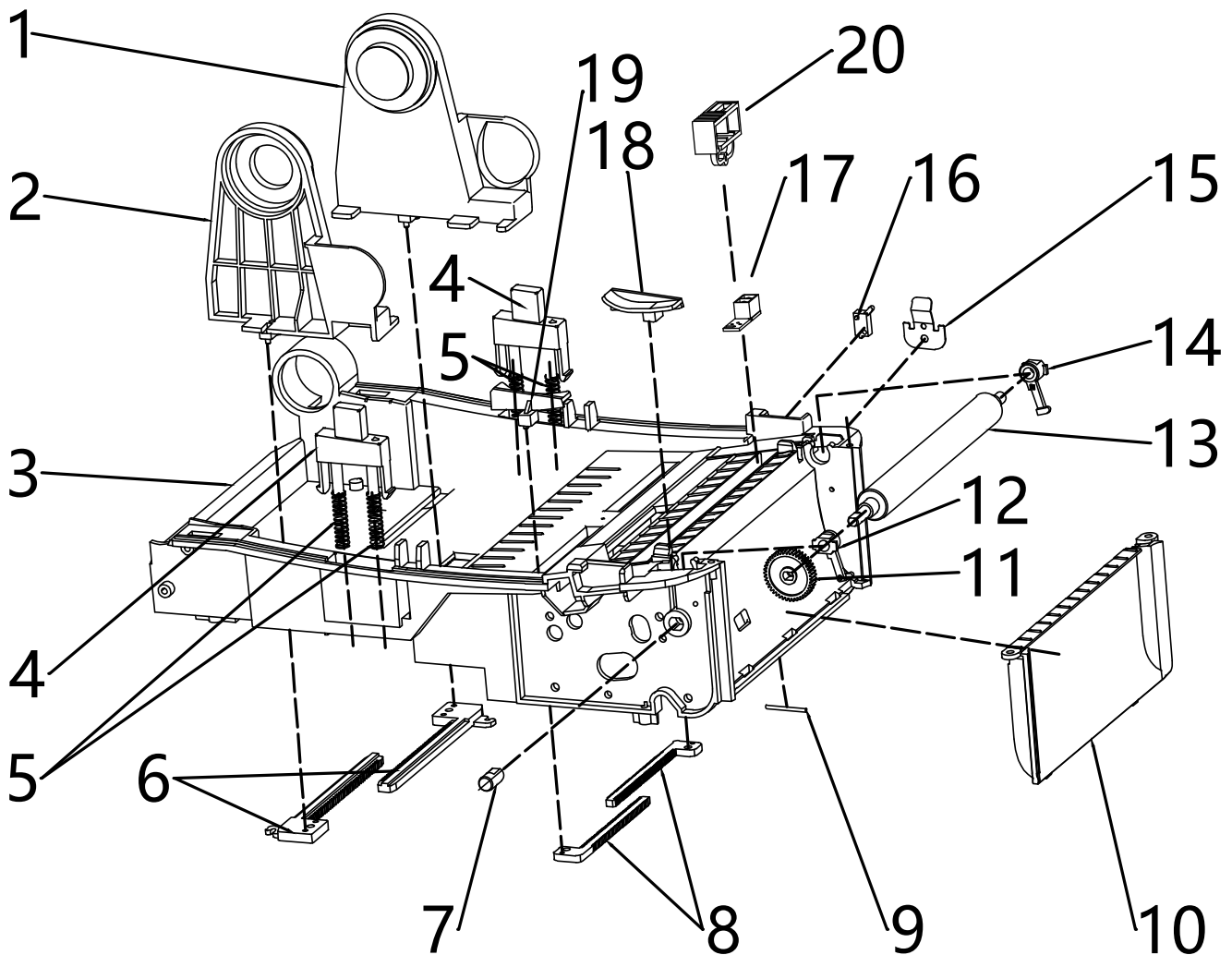
Serial Number	Material Code	Material Name	Quantity
1	1.22.33.00170	Swivel Hook R	1
2	1.22.33.00010	Middle Frame	1
3		Thermal Base Assembly	1
4	1.22.33.00090	Flip Cover Rotary Column	2
5	1.22.33.00160	Swivel Hook L	1
6	1.23.19.04290	Swivel Hook Shaft	1
7	2.03.02.00012	Button Motherboard	1
8	1.23.19.05450	Rotary Hook Tension Spring	2



Thermal Base Assembly

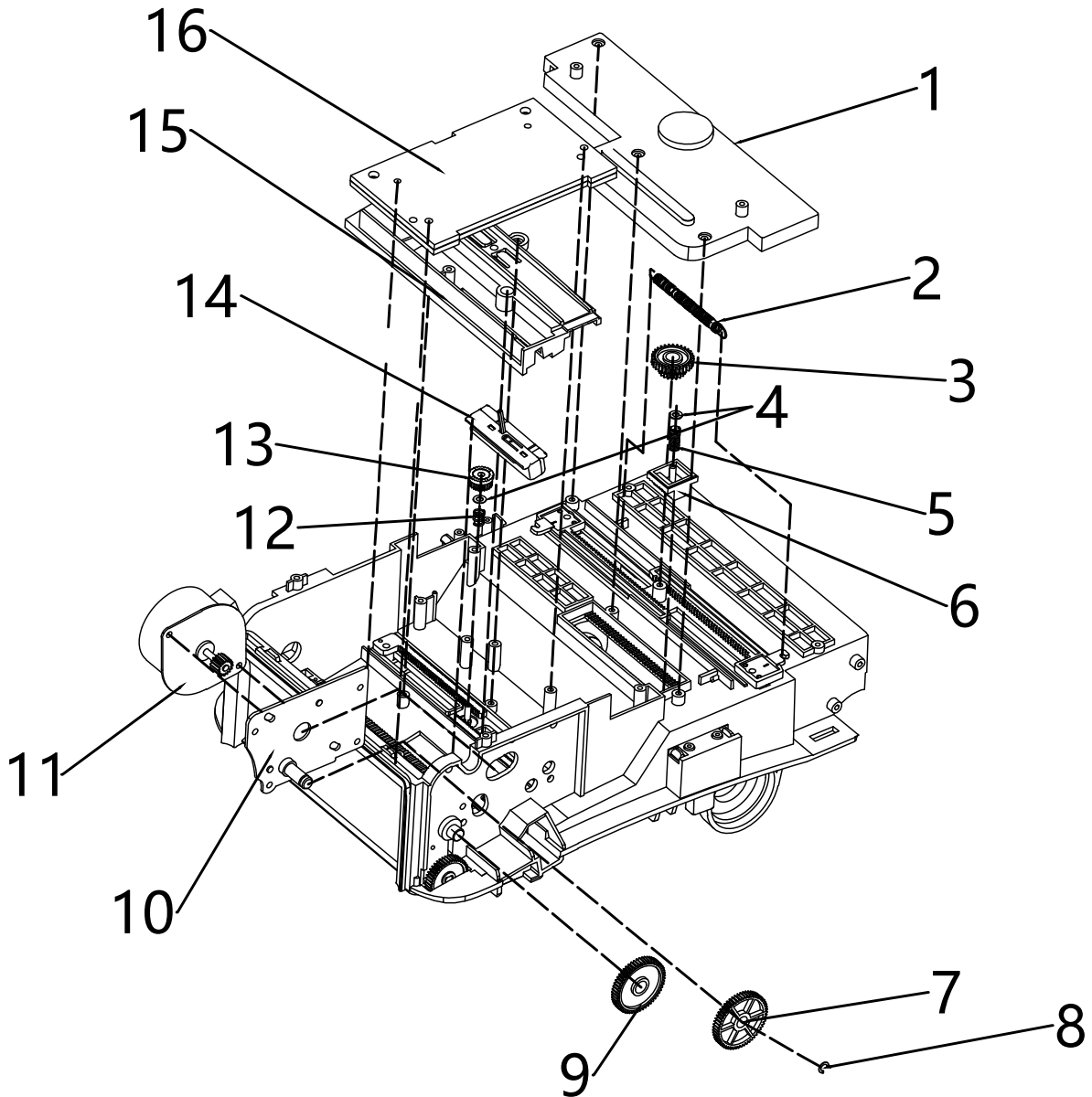
Serial Number	Material Code	Material Name	Quantity
1	1.22.13.02520	Ribbon Gear Baffle	1
2	1.24.04.00011	Circlip	3
3	1.22.13.01890	Rotary Press Block	1
4	1.27.05.00217	Rotary Shaft Sponge Gasket	1
5	1.22.13.01880	Rotary Sleeve	1
6	1.23.19.05370	Rotary Shaft Pressure Spring	1
7	1.23.19.03850	Rotary Shaft Compression Spring Gasket	1
8	1.23.19.05440	Paper Feed Support Torsion Spring	1
9	1.23.19.05380	Rotary Shaft Tension Spring	1
10	2.01.05.00130	B428W Count Sensor Assembly	1
11	2.03.05.00179	Directional Assembly	1
12	1.25.01.00056	Ribbon Recovery Intermediate Gear	1
13	1.25.01.00071	Directional Intermediate Gear	1
14	1.23.19.04340	Carbon Ribbon Balance Shaft	1
15	1.22.13.02660	Paper Feed Support	1
16	2.03.05.00103	Thermal Assembly 304 DPI	1
	2.03.05.00082	Thermal Assembly 203 DPI	1
17	1.22.13.02840	Print Head Bracket	1
18	1.23.19.01190	Thermal Fixed Steel Sheet	1
19	1.23.19.00640	Print Head Pressure Spring	3
20	1.22.33.00180	Ribbon Hook	1
21	1.23.19.05460	Ribbon Hook Torsion Spring	1
22	1.22.13.02530	Ribbon Side Guard	1
23	1.22.13.01930	Ribbon Installation Shaft	2
24	2.03.05.00187	Ribbon Recovery Wheel Assembly	1
25	2.03.05.00186	Ribbon Supply Roller Assembly	1
26	1.22.13.02130	Carbon Ribbon Stand	1

Machine Base Assembly One



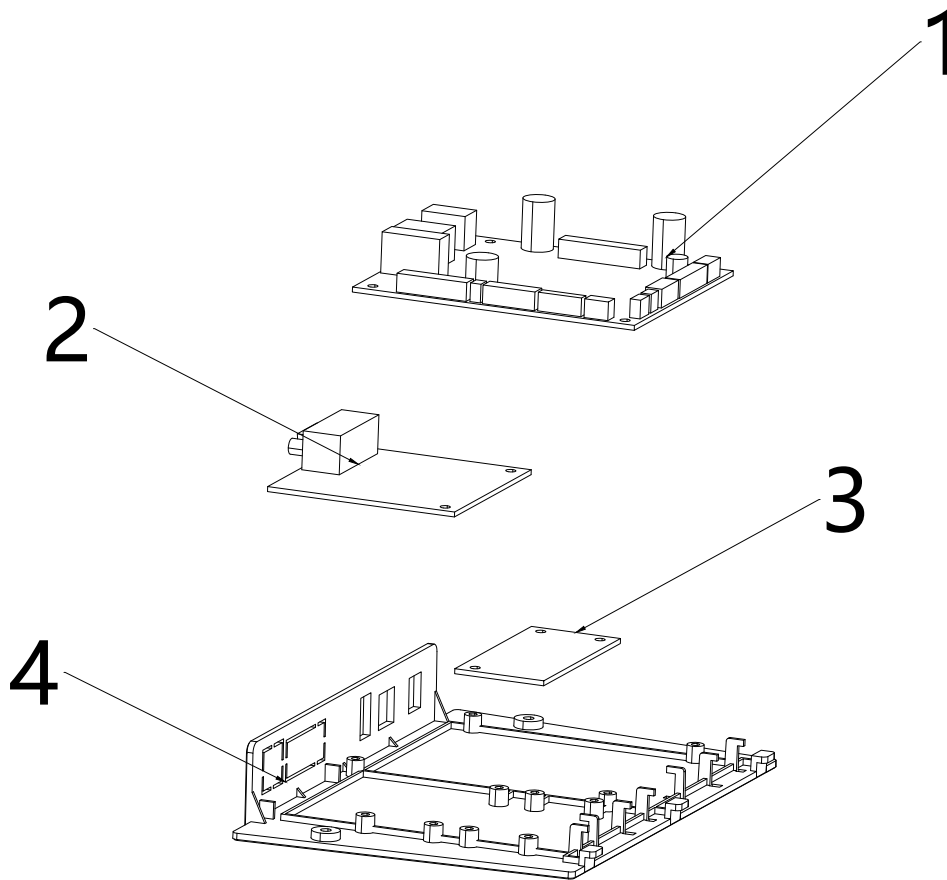
Serial Number	Material Code	Material Name	Quantity
1	1.22.33.00120	Right Loading Block	1
2	1.22.33.00110	Left Loading Block	1
3	1.22.33.00030	Machine Base Bracket	1
4	1.22.33.00100	Ejector	2
5	1.23.19.05500	Ejector Spring	4
6	1.22.13.02800	Paper Block Gear Rack	2
7	1.23.19.04360	Gear Column Shaft	1
8	1.22.13.01910	Sliding Gear Rack	2
9	1.23.19.04330	Sensor Mounting Shaft	1
10	1.22.33.00060	Paper Output Stopper	1
11	1.25.01.00068	Rubber Roller Gear	1
12	1.22.13.02780	Shaft Sleeve L	1
13	1.23.19.04280	Rubber Roller	1
14	1.22.13.02790	Shaft Sleeve R	1
15	1.23.19.00610	Rubber Roller Grounding Sheet	1
16	2.01.05.00211	Micro Switch Assembly	1
17	2.01.05.00129	B428W Black Mark Sensor Assembly	1
18	1.22.33.00150	Paper Clip R	1
19	1.22.33.00140	Paper Clip L	1
20	1.22.33.00220	Sensor Cover	1

Machine Base Assembly Two



Serial Number	Material Code	Material Name	Quantity
1	1.22.13.02580	Loading Paper Block Bottom Plate	1
2	1.23.19.05470	Loading Paper Block Tension Spring	1
3	1.25.01.00041	Gear	1
4	1.23.19.05220	Roller Stopper	2
5	1.23.19.05230	Loading Paper Spring	1
6	1.22.33.00130	Loading Paper Positioning Block	1
7	1.25.01.00055	Paper Feed Motor Gear 203 DPI	1
	1.25.01.00058	Paper Feed Motor Gear 304 DPI	
8	1.24.04.00011	Circlip	1
9	1.25.01.00067	Paper Feed Intermediate Gear	1
10	1.23.19.01170	Motor Mounting Plate 203 DPI	1
	1.23.19.01180	Motor Mounting Plate 304 DPI	
11	1.11.12.00011	Motor	1
12	1.27.05.00286	Paper Clamp Pressure Spring	1
13	1.25.01.00063	Sliding Gear	1
14	2.03.05.00188	Gap Sensor Assembly	1
15	1.22.13.02590	Paper Clamp Bottom Plate	1
16	1.23.11.00190	Weighted Iron Sheet	2

Bottom Cover, Motherboard Assembly



Serial Number	Material Code	Material Name	Quantity
1	2.03.01.00013	Motherboard	1
	2.03.01.00058	Motherboard	1
2	2.03.03.00016	Interface Board	1
	2.03.03.00035	Interface Board	1
	1.19.04.00008	Network Port Cable	1
	1.19.04.00004	Ground Wire	1
3	2.03.03.00021	Interface Board (BT)	1
	2.03.03.00038	Interface Board (BT)	1
	1.19.04.00051	BT/WiFi Interface Cable	1
	1.19.00.00046	WiFi Antenna	1
	2.03.03.00022	Interface Board (WiFi)	1
4	1.22.33.00071	Bottom Cover	1

Serial Number	White	Dark Gray	Material Name
1	1.22.33.00010	1.22.33.00280	Middle Frame
2	1.22.33.00020	1.22.33.00290	Flip Cover
3	1.22.33.00030	1.22.33.00300	Machine Base
4	1.22.33.00040	1.22.33.00310	Bottom
5	1.22.33.00060	1.22.33.00320	Paper Output Stopper
6	1.22.33.00071	1.22.33.00331	Bottom Cover
7	1.22.33.00080	1.22.33.00340	Threading Baffle
8	1.22.33.00090	1.22.33.00350	Flip Cover Rotary Column
9	1.22.33.00100	1.22.33.00360	Ejector