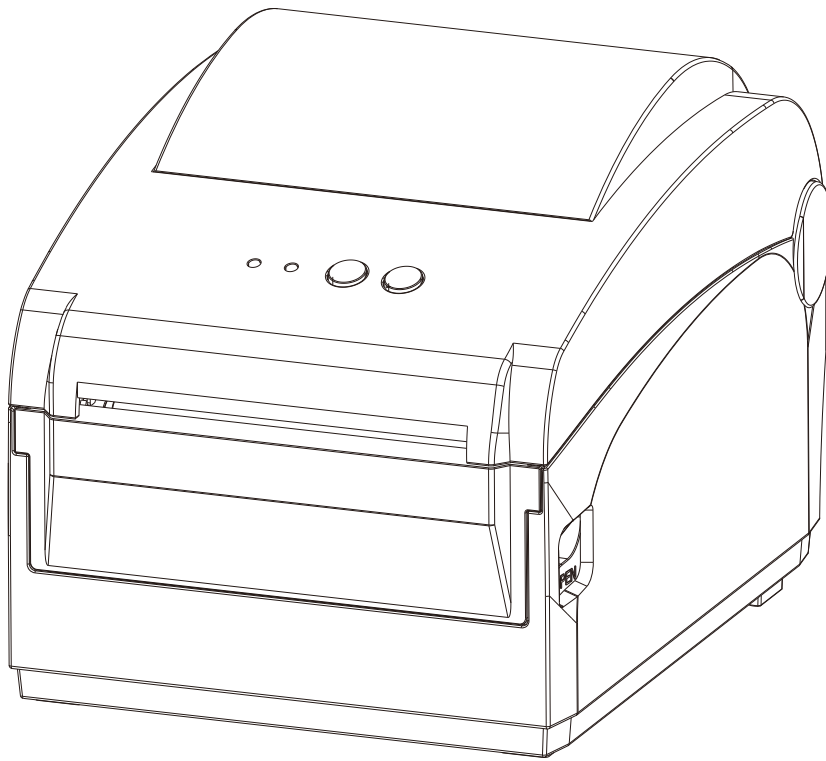


Gainscha

GS-2408D/GS-2408DC

DIRECT THERMAL
BAR CODE PRINTER


PARTS LIST



Exploded View

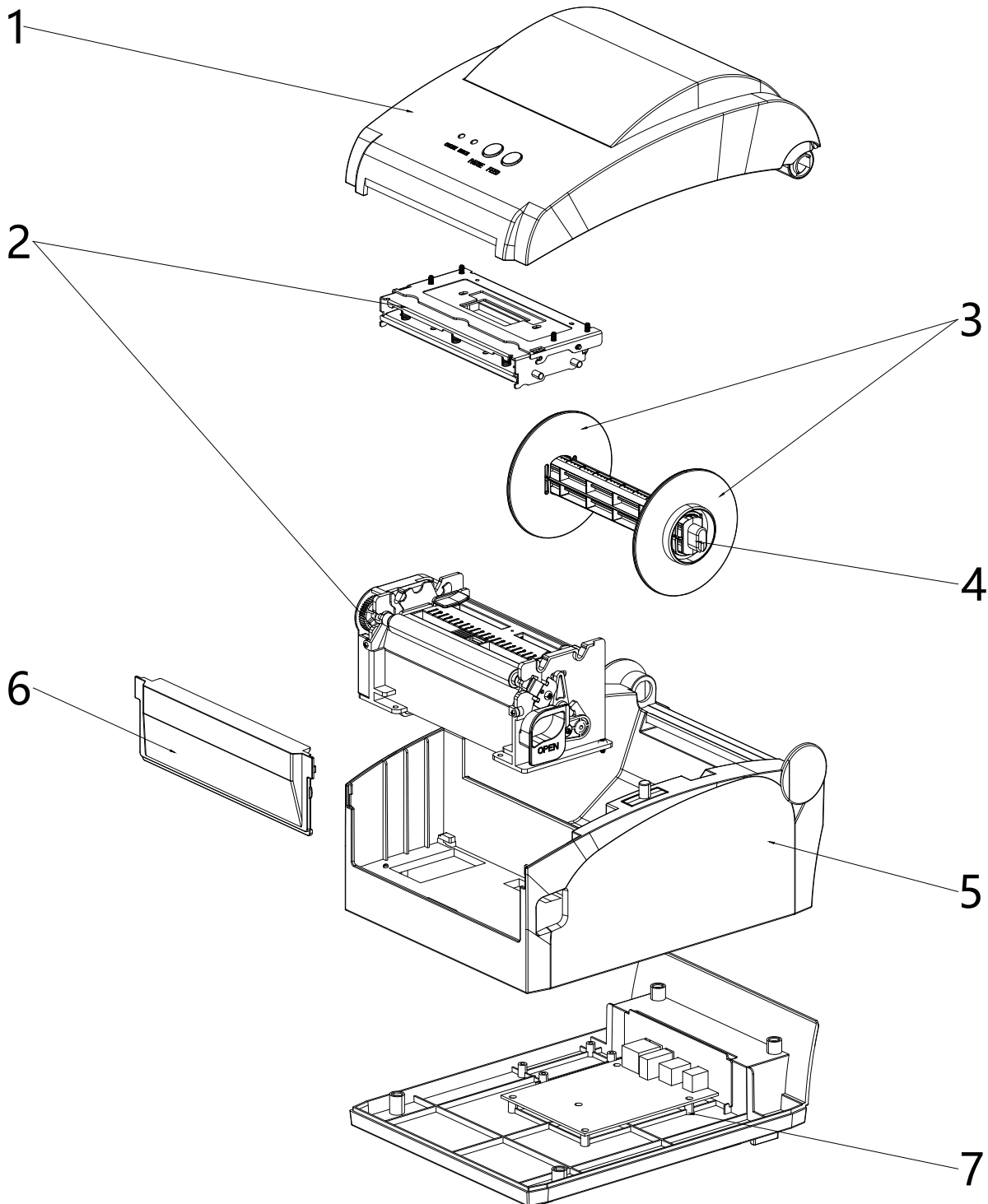
编制: 

审核: 

批准: 

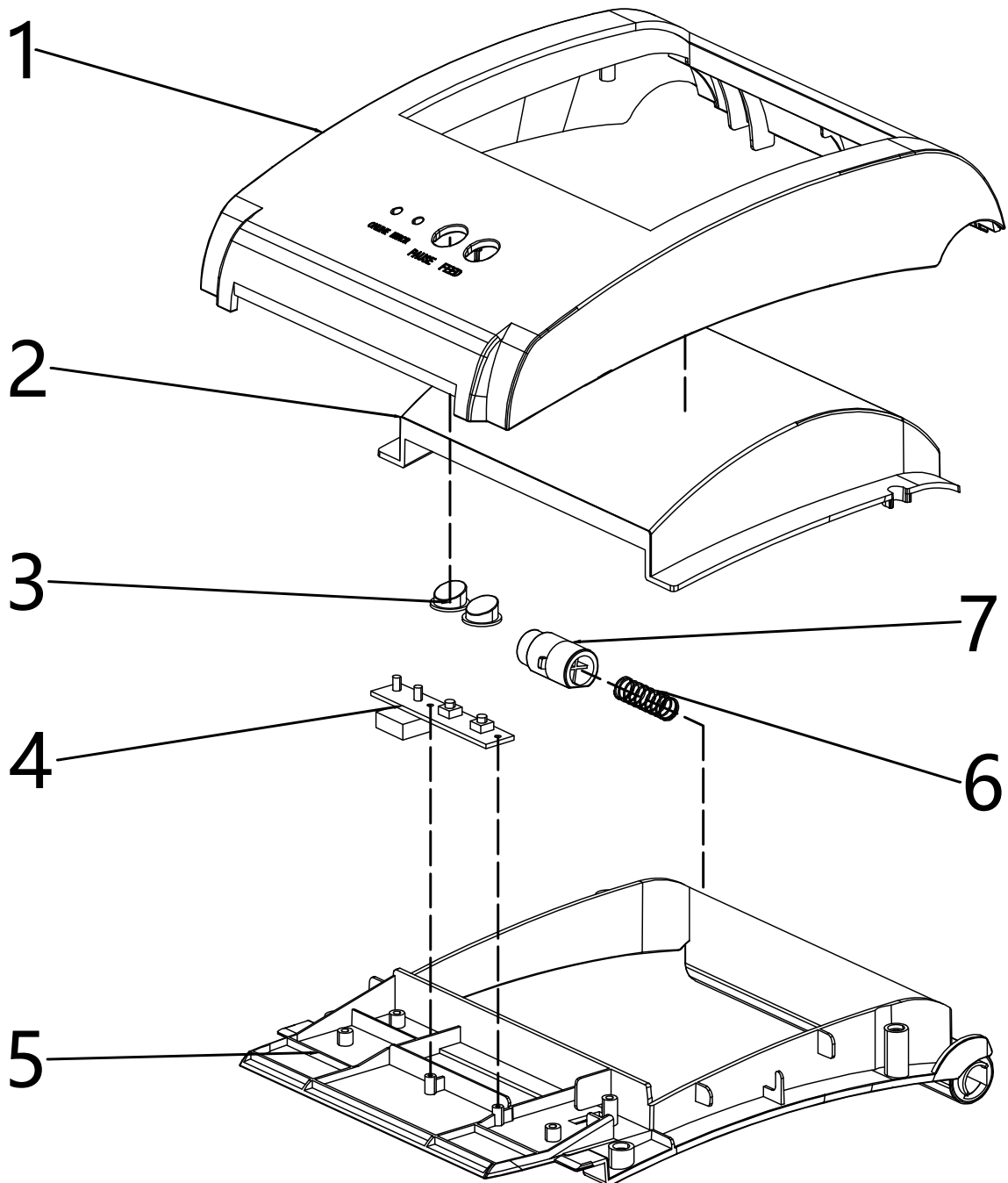
2022/8/10

Serial Number	Material Code	Material Name	Quantity
1		Flip Cover Assembly	1
2	2.03.06.00008	Valin Print Head Mechanism	1
3	1.22.32.00260	Paper Stopper	2
4	1.22.32.00250	Loading Paper Shaft	1
5		Middle Frame Assembly	1
6	1.22.32.00200	Front Cover	1
7		Bottom Cover,Motherboard Assembly	1



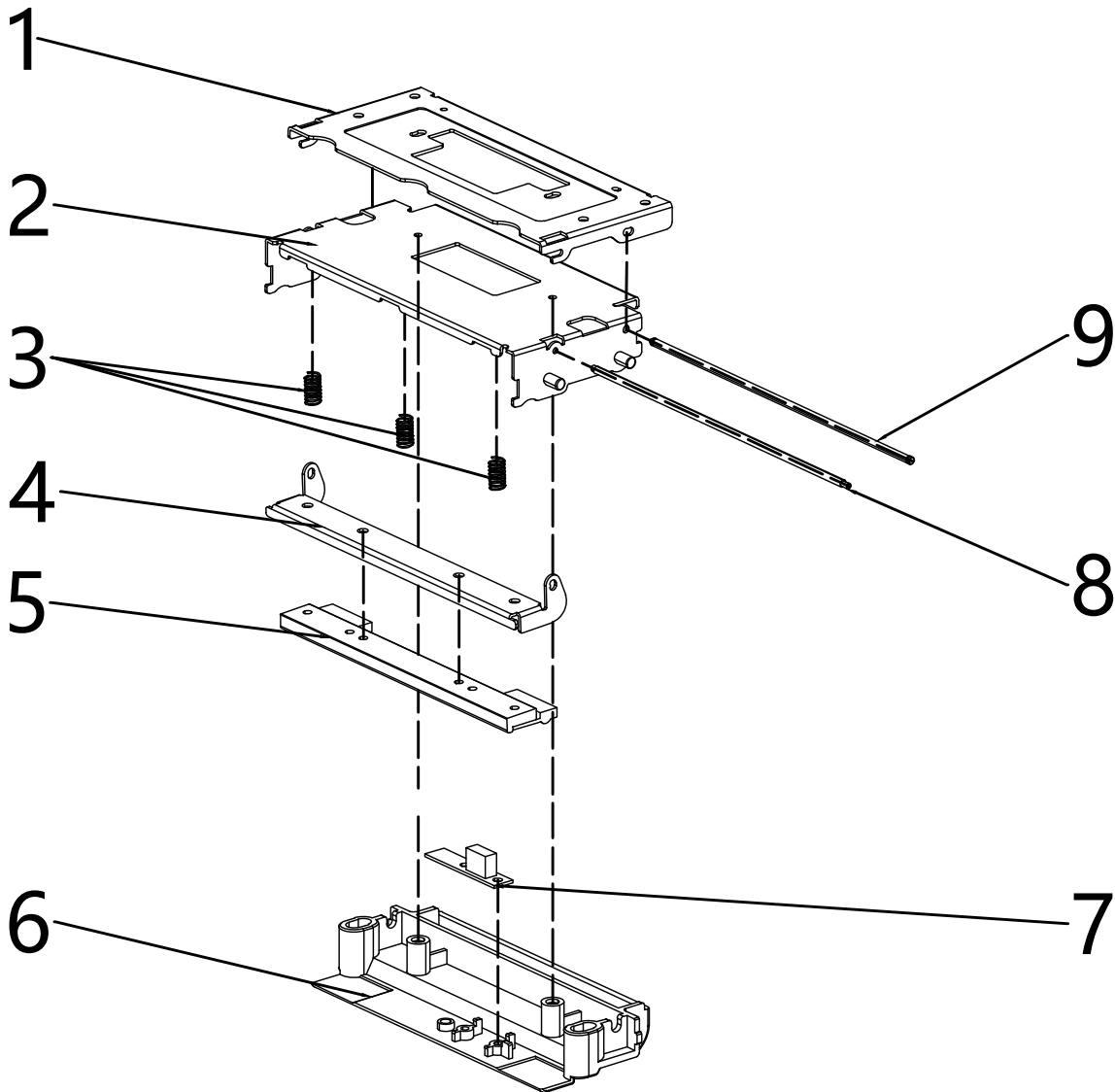
Flip Cover Assembly

Serial Number	Material Code	Material Name	Quantity
1	1.22.32.00160	Flip Cover	1
2	1.22.32.00290	Small Flip Cover	1
3	1.22.32.00400	Button	1
4	2.03.02.00016	Button Motherboard	1
5	1.22.32.00170	Flip Inside Frame	1
6	1.23.12.00020	Ejector Spring	1
7	1.22.32.00420	Flip Cover Rotary Shaft	1



Valin Print Head Movement

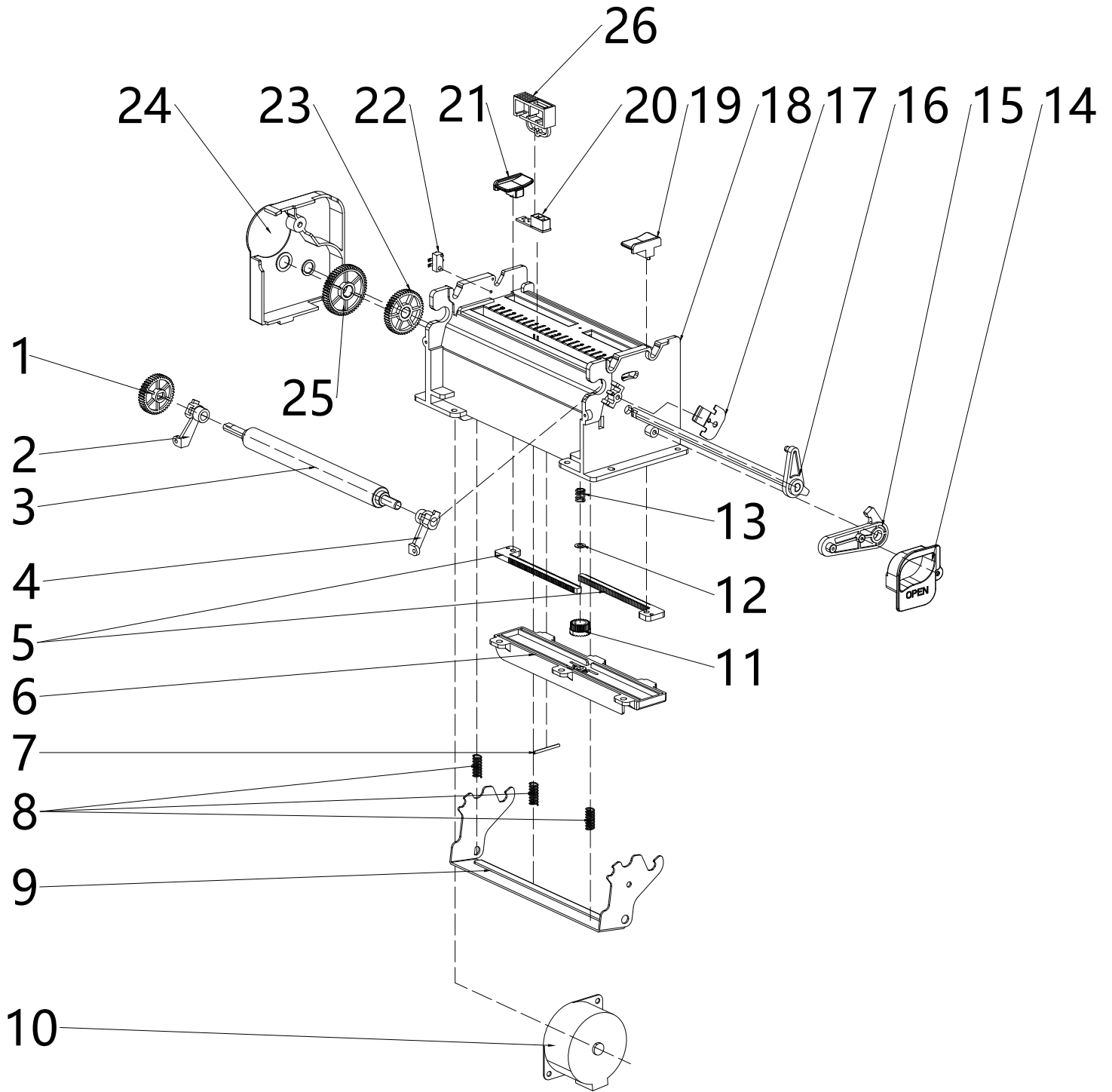
Serial Number	Material Code	Material Name	Quantity
1	1.23.19.01050	Sliding Board	1
2	1.23.19.01040	Upper Fixing Bracket	1
3	1.23.19.05250	Print Head Spring	3
4	1.23.32.00016	Thermal Bracket	1
5	1.21.24.00008	Print Head	1
6	1.22.13.01000	Paper Feed Guide	1
7	2.03.05.00078	Sensor Assembly	1
8	1.23.19.04240	Print Head Shaft	1
9	1.23.19.04250	Sliding Shaft	1



Print Head Mechanism One

Serial Number	Material Code	Material Name	Quantity
1	1.25.01.00068	Rubber Roller Gear	1
2	1.22.13.01670	Shaft Sleeve L	1
3	1.23.19.04220	Rubber Roller	1
4	1.22.13.01680	Shaft Sleeve R	1
5	1.22.13.01920	Sliding Gear Rack	2
6	1.22.13.01020	Bottom Cover	1
7	1.23.19.04270	Sensor Mouning Shaft	1
8	1.23.19.05600	Swivel Hook Compression Spring	3
9	1.23.19.01060	Swivel Hook	1
10	1.11.12.00012	Motor	1
11	1.25.01.00063	Sliding Gear	1
12	1.23.19.05220	Roller Stopper	1
13	1.27.05.00286	Paper Clamp Compression Spring	1
14	1.22.32.00410	Switch Button	1
15	1.22.13.01040	Open Cap Wrench	1
16	2.03.05.00203	Shaft Wrench Assembly	1
17	1.23.19.00610	Rubber Roller Grouding Sheet	1
18	1.22.13.00970	Machine Base Bracket	1
19	1.22.32.00280	Paper Clip R	1
20	2.01.0500129	B428W Black Mark Sensor Assembly	1
21	1.22.32.00270	Paper Clip L	1
22	2.03.05.00185	Derection Switch Assembly	1
23	1.25.01.00066	Paper Feed Motor Gear	1
24	1.22.13.01010	Gear Cover	1
25	1.25.01.00067	Paper Feed Middle Gear	1
26	1.22.33.00220	Paper Feed Cover	1

Print Head Mechanism One



Bottom Cover,Motherboard Assembly

Serial Number	Material Code	Material Name	Quantity
1	1.22.32.00430	Ejector	2
2	1.23.12.00020	Ejector Spring	2
3	1.22.32.00190	Middle Frame	1
4	1.23.11.00190	Weighted Iron Sheet	1
5	2.03.05.00167	Switch	1
6	2.03.03.00021	Interface Board (BT)	1
	2.03.03.00038	Interface Board (BT)	1
	1.19.04.00051	(WIFI/BT) Interface Cable	1
	1.19.00.00046	WIFI Antenna	1
	2.03.03.00022	Interface Board (WIFI)	1
7	1.23.32.00014	Interface Baffle (GS-2408D)	1
	1.23.32.00015	Interface Baffle (GS-2408DC)	1
8	2.03.01.00005	Motherboard (GS-2408D)	1
	2.03.01.00039	Motherboard (GS-2408D)	1
	2.03.01.00057	Motherboard (GS-2408D)	1
	2.03.01.00020	Motherboard (GS-2408DC)	1
	2.03.01.00059	Motherboard (GS-2408DC)	1
9	1.22.32.00180	Bottom Cover	1

Bottom Cover, Motherboard Assembly

