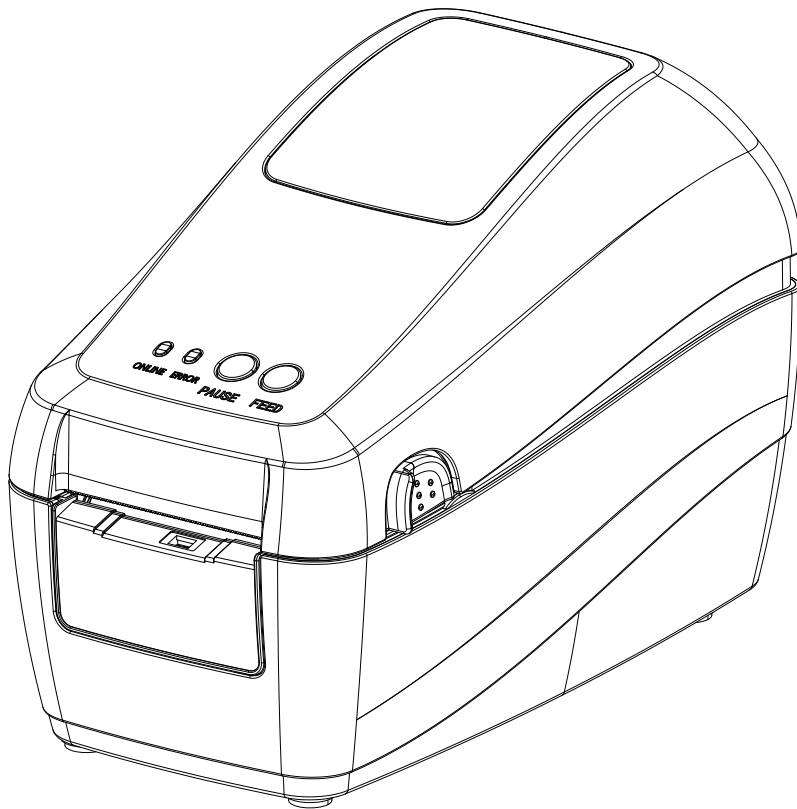


Gainscha


GS-2208D

**DIRECT THERMAL
BAR CODE PRINTER**


PARTS LIST



Exploded View

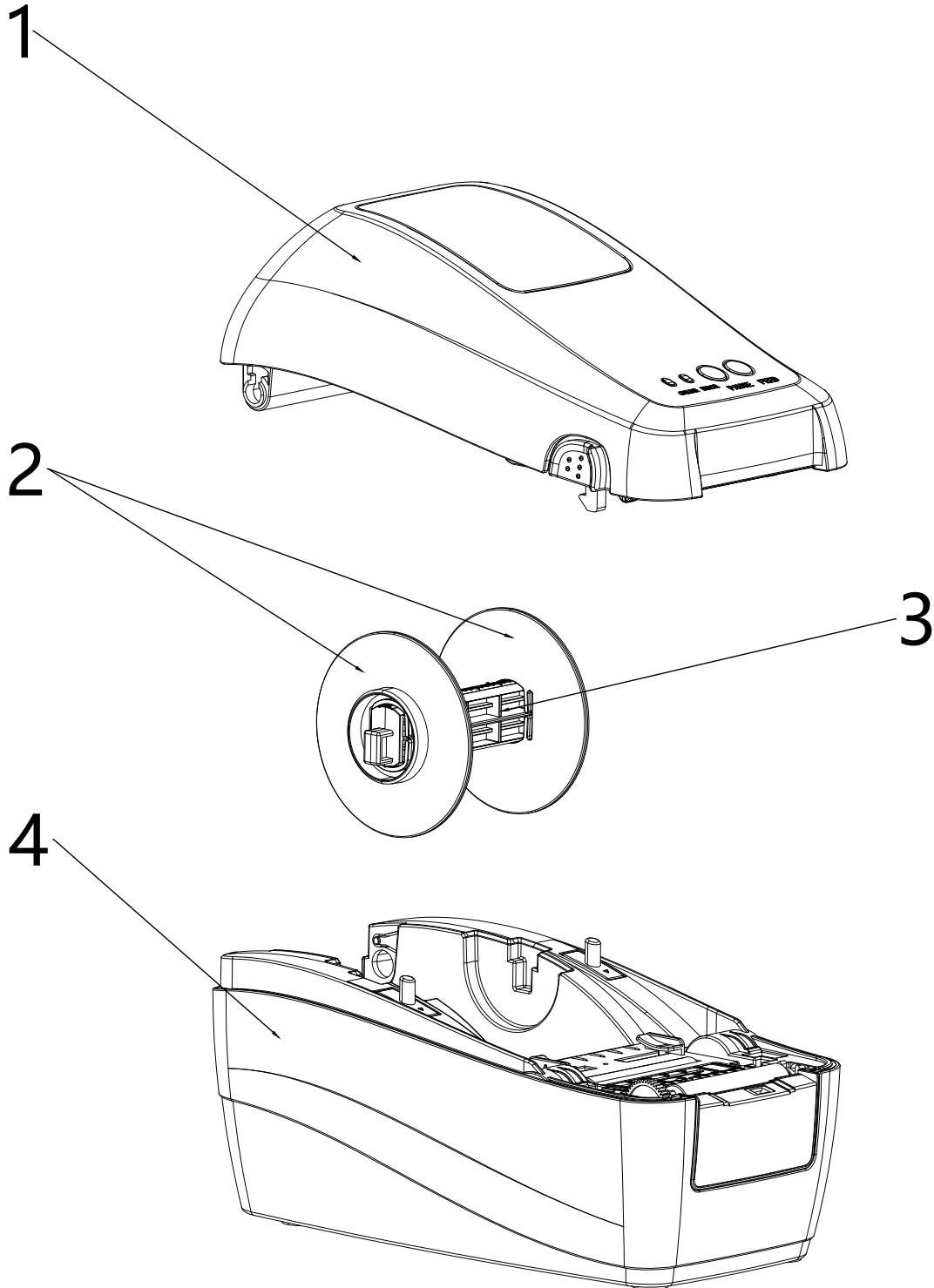
编制: 

审核: 

批准: 

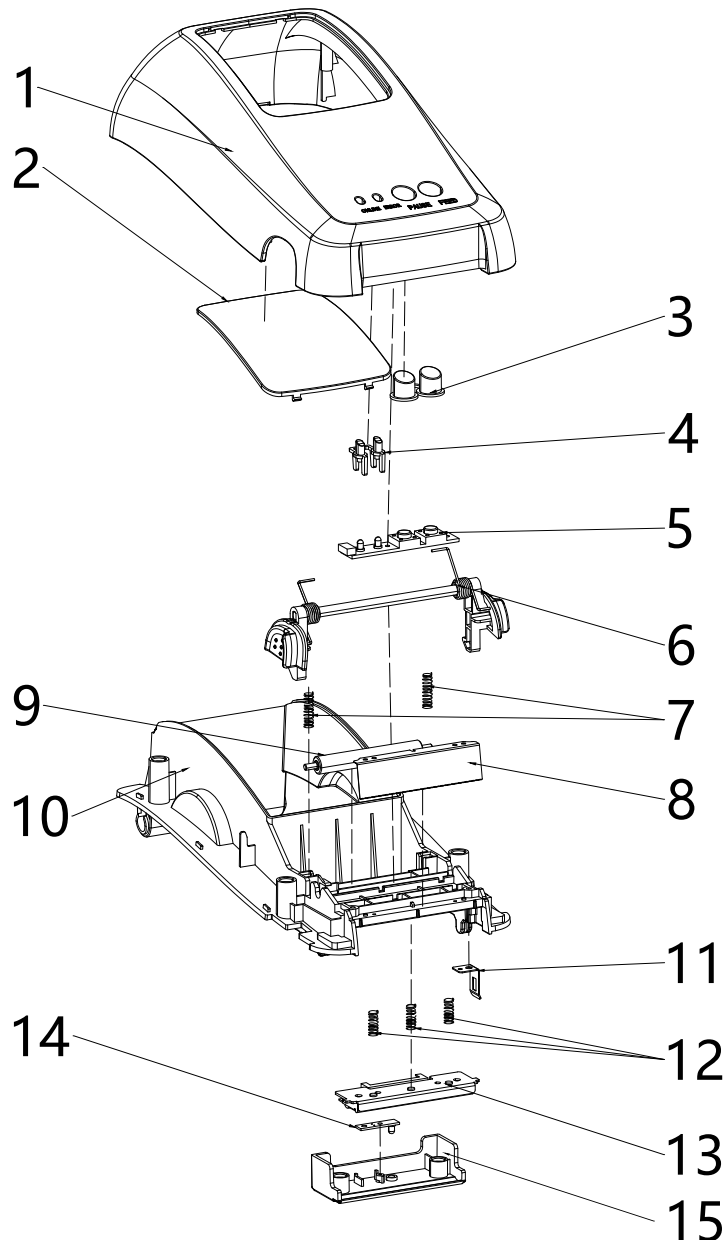
2022/8/10

Serial Number	Material Code	Material Name	Quantity
1		Flip Cover Assembly	1
2	1.22.32.00260	Fixed Paper Piece	2
3	1.22.32.00140	Loading Paper Spindle	1
4		Base Assembly	1



Flip Cover Assembly

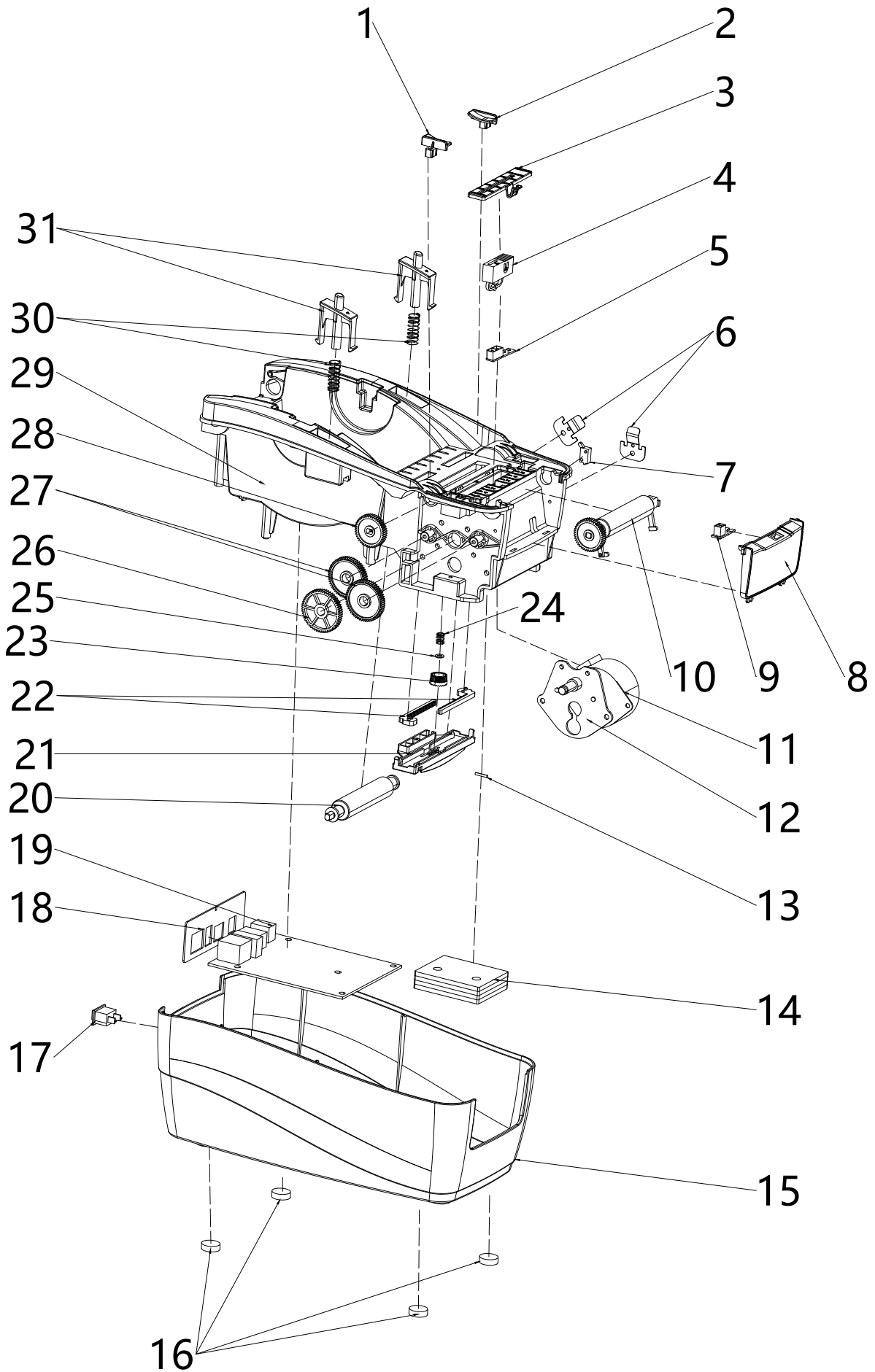
Serial Number	Material Code	Material Name	Quantity
1	1.22.32.00440	Flip Cover	1
2	1.22.32.00010	Transparent Cover	1
3	1.22.32.00500	Button	1
4	1.22.12.04050	Light Guide Column	1
5	2.03.02.00003	Button Motherboard	1
6	2.03.05.00184	Swivel Hook Assembly	1
7	1.23.19.05070	Rubber Roller Pressure Spring	2
8	1.23.19.00260	Paper Tearing Iron Sheet	1
9	1.23.19.04540	Rubber Roller	1
10	1.22.32.00450	Flip Cover Inner Frame	1
11	1.23.19.00230	Bracket Shrapnel	1
12	1.23.19.05050	Thermal Sheel Pressure Spring	3
13	2.03.05.00157	Thermal Printhead Assembly	1
14	2.03.05.00079	Sensor Assembly	1
15	1.22.12.04720	Paper Output Guide Block	1



Machine Base Assembly

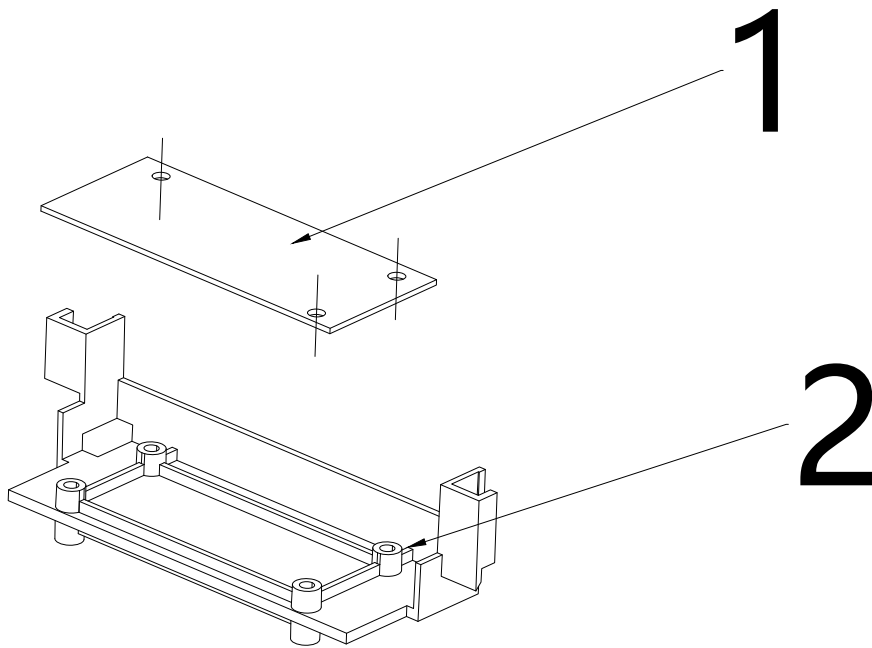
Serial Number	Material Code	Material Name	Quantity
1	1.22.32.00120	Jammed Paper Block L	1
2	1.22.32.00130	Jammed Paper Block R	1
3	1.22.32.00020	Sensor Cover	1
4	2.01.05.00129	B428W Black Mark Sensor Assembly	1
5	1.22.33.00220	Sensor Cover	1
6	1.23.19.00610	Rubber Roller Grounding Sheet	2
7	2.01.05.00211	Micro Switch Assembly	1
8	1.22.32.00480	Paper Output Stopper	1
9	2.03.05.00178	Sensor Assembly	1
10	2.03.05.00182	Rubber Roller Assembly	1
11	1.11.02.00005	Mortor	1
12	1.23.19.01670	Mortor Mounting Plate	1
13	1.23.19.04270	Sensor Mounting Shaft	1
14	1.23.11.00200	Weighted Plate	4
15	1.22.32.00470	Bottom Shell	1
16	1.27.05.00244	Round Rubber Pad	4
17	2.03.05.00189	Power Switch	1
18	1.23.32.00013	Interface Bezel	1
19	2.03.01.00005	Motherboard	1
	2.03.01.00039	Motherboard	1
	2.03.01.00057	Motherboard	1
20	1.23.19.04530	Paper Guide Rubber Roller	1
21	1.22.12.04730	Bottom Cover	1
22	1.22.12.04780	Gear Rack	2
23	1.25.01.00063	Sliding Gear	1
24	1.23.19.05220	Paper Clamp Spring	1
25	1.27.05.00286	Roller Stopper	1
26	1.25.01.00055	Paper Feed Motor Gear	1
27	1.25.01.00067	Paper Feed Intermediate Gear	2
28	1.25.01.00068	Rubber Roller Gear	1
29	1.22.32.00460	Machine Base	1
30	1.23.19.05060	Ejector Spring	2
31	1.22.32.00490	Ejector	1

Machine Base Assembly



BT/WiFi Assembly

Serial Number	Material Code	Material Name	Quantity
1	2.03.03.00021	Interface Motherboard (BT)	1
	2.03.03.00038	Interface Motherboard (BT)	1
	1.19.04.00051	BT/WiFi Interface Cable	1
	1.19.00.00046	WiFi Antenna	1
	2.03.03.00022	Interface Motherboard (WiFi)	1
2	1.22.32.00510	Fixed Plate	1



Color

Serial Number	Dark Gray	White	Material Name
1	1.22.32.00440	1.22.32.00030	Flip Cover
2	1.22.32.00450	1.22.32.00040	Inner Frame Of Flip Cover
3	1.22.32.00460	1.22.32.00050	Machine Base
4	1.22.32.00470	1.22.32.00060	Bottom Shell
5	1.22.32.00480	1.22.32.00070	Paper Output Stopper
6	1.22.32.00490	1.22.32.00080	Ejector
7	1.22.32.00500	1.22.32.00090	Button