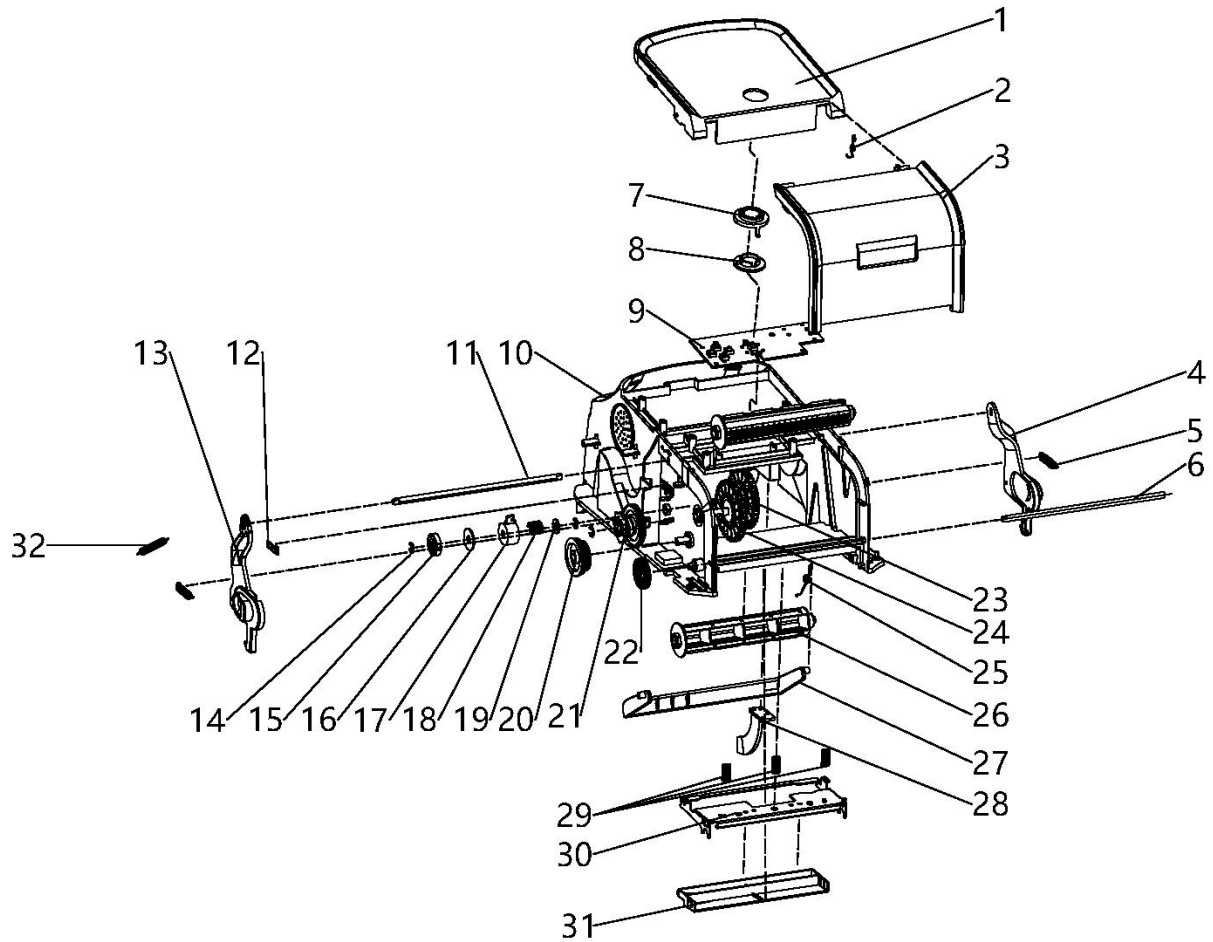


Serial Number	Material Code	Material Name	Quantity
1	1.22.33.01620	Top Cover	1
2		Top Middle Frame	1
3	1.23.33.00060	Cover Rotation Axis	2
4		Base Assembly	1



Serial Number	Material Code	Material Name	Quantity
1	1.22.33.01750	Button Cover	1
2	1.23.33.00120	Cover Torsion Spring	1
3	1.22.33.01780	Ribbon Cover	1
4	1.22.33.00850	Rotating Hook R	1
5	1.23.33.00100	Rotating Hook Tension Spring	2
6	1.23.33.01080	Ribbon Flattening A	1
7	1.22.33.00750	Button	1
8	1.22.33.00820	Light Guide Pillar	1
9	2.03.02.00011	Button Mainboard	1
10	1.22.33.01610	Upper Middle Frame	1
11	1.23.33.00050	Rotating Hook Shaft	1
12	2.01.05.00130	B428W Counting Sensor Assembly	1
13	1.22.33.00840	Rotating Hook L	1
14	1.24.04.00011	Snap Ring	3

15	1.22.13.01890	Rotary Pressure Block	1
16	1.27.05.00217	High-density sponge gasket for rotating shaft	1
17	1.22.13.01880	Rotating Sleeve	1
18	1.23.19.05370	Rotating Shaft Pressure Spring	1
19	1.23.19.03850	Rotating Shaft Compression Spring Spacer	1
20	1.25.01.00056	Ribbon Recovery Intermediate Gear	1
21		Directional Shaft Gear Assembly	1
22	1.25.01.00071	Directional Intermediate Gear	1
23	2.03.05.00186	Reverse Wave Wheel Assembly	1
24	2.03.05.00187	Recovery Wave Wheel Assembly	1
25	1.23.33.00090	Paper Feed Bracket torsion Spring	1
26	1.22.13.01930	Ribbon Mounting Shaft	2
27	1.22.33.00810	Paper Feed Bracket	1
28	1.22.33.01890	Open Cover Bracket	1
29	1.23.19.05250	Print Head Pressure Spring	3
30	2.03.05.00136	Thermal Module 300DPI	1
	2.03.05.00135	Thermal Module 203DPI	1
31	1.22.33.00780	Heat Sensitive Sheet Lid	1
32	1.23.19.05380	Rotary Shaft Spring	1

Serial Number	Material Code	Material Name	Quantity
1	1.22.33.00120	R Load Paper Blocks	1
2	1.22.33.00110	L Load Paper Blocks	1
3	1.22.33.00140	L Clamp The Paper Block	1
4	1.22.33.01630	Machine Base	1
5	1.25.01.00067	Feed Paper Intermediate Gear	1
6	1.25.01.00055	Feed Paper Motor Gears 203DPI	1
	1.25.01.00058	Feed Paper Motor Gears 300DPI	1
7	1.24.04.00011	Circlip	1
8	1.23.33.00020	Motor Mounting Plate 203DPI	1
	1.23.33.00030	Motor Mounting Plate 304DPI	1
9	1.22.13.02800	Paper Block Gear Strip	2
10	1.22.33.00130	Loading Paper Fixing Block	1
11	1.25.01.00041	Gear	1
12	1.23.19.05230	Paper Block Spring	1
13	1.23.19.05220	Roller Blocking Piece	2
14	1.22.33.00790	Loading Paper Block Base Plate	1
15	2.03.05.00168	Swith Components	1
16	1.22.33.01640	Bottom Chassis	1
17		Bluetooth	1
		WiFi	1
18	2.03.03.00019	Interface Board	1
19	2.03.01.00005	Motherboard	1
20	1.22.33.01670	Motherboard Bottom Case	1
21	1.23.11.00190	Weighted Iron Sheet	2
22	1.11.12.00011	Motor	1
23	1.22.33.00800	Paper Clamp Bottom Plate	1
24	1.25.01.00063	Sliding Gear	1

25	1.22.13.01910	Sliding Tooth Strip	2
26	1.23.19.05470	Loading Paper Block Extension Spring	1
27	1.27.05.00286	Paper Block Pressure Spring	1
28	1.23.19.04330	Sensor Mounting Axis	1
29	1.22.33.01660	Paper Exit Stopper	1
30	1.25.01.00068	Rubber Roller Gear	1
31	1.22.13.02780	Shaft Sleeve L	1
32	1.23.19.04280	Rubber Roller	1
33	1.22.13.02790	Shaft Sleeve R	1
34	1.23.19.00610	Rubber Roller Grounding Sheet	1
35	2.01.05.00211	Micro Switch Assembly	1
36	2.01.05.00228	Gap Sensor Assembly	1
37	1.23.19.05500	Buffer Spring	4
38	1.22.33.00150	Paper Clamp R	1
39	1.22.31.01450	Ejector	2
40	2.01.05.00129	B428W Black Mark Sensor Assembly	1
41	1.22.33.00220	Sensor Cover	1